
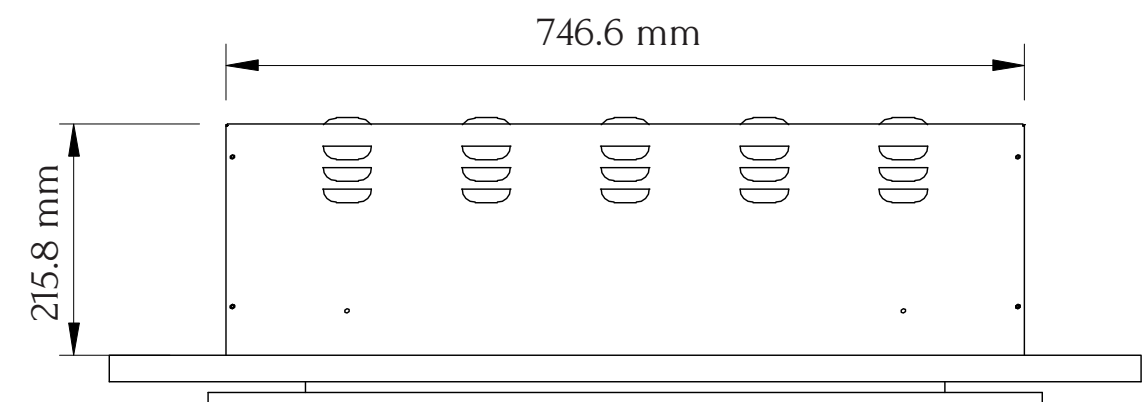
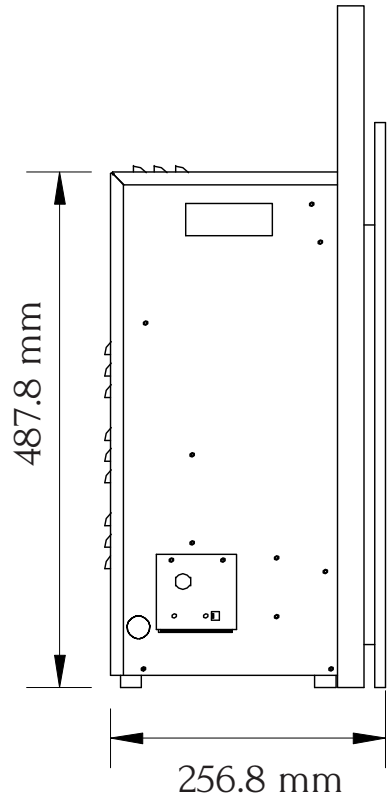
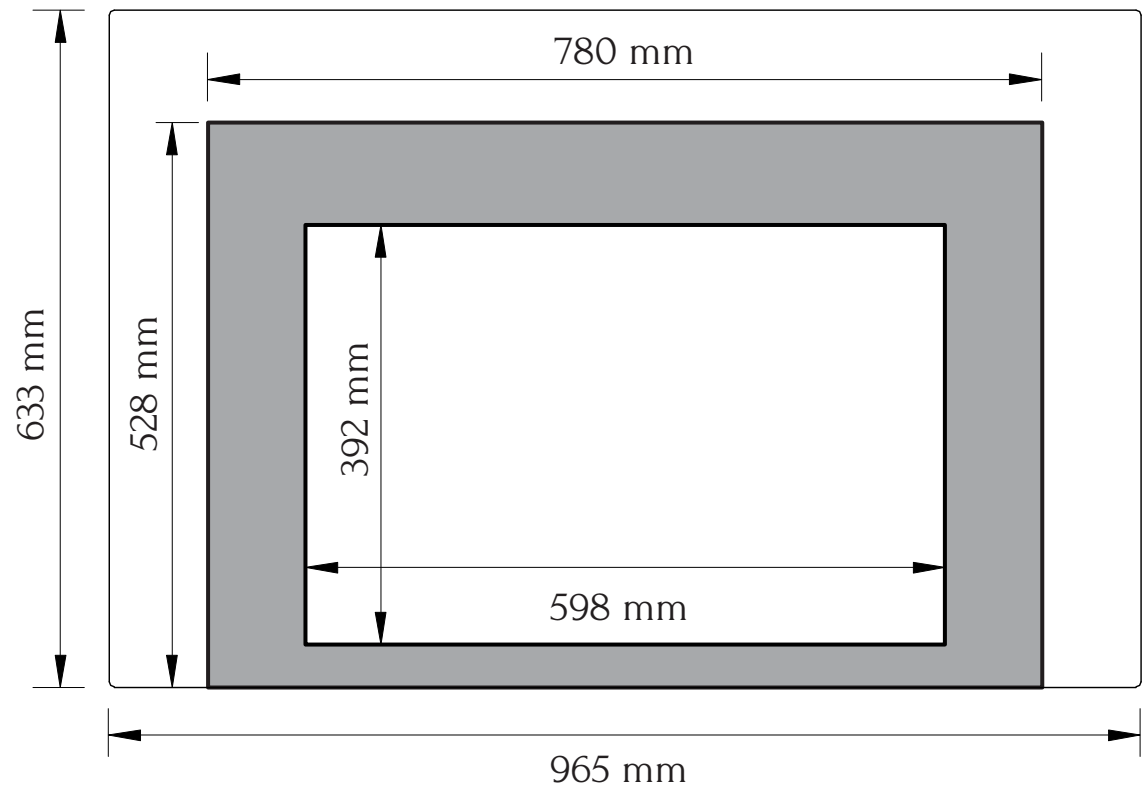


TECHNICAL SPECIFICATIONS

VOLTS		120
AMPS		12.5
WATTS		1500
HEATER	HIGH	1500 watts
	LOW	750 watts
NO HEATER		19 watts
LAMPS	QUANTITY	LED
	WATTS	
	TOTAL WATTS	22 watts
ROTOR MOTOR		1 at 5 watts
HEIGHT, WIDTH, DEPTH		19 x 29 3/8 x 8 1/2
GLASS VIEWING OPENING		15 3/8 x 23 1/2
SURROUND SIZE		24 7/8" x 38"
SHIPPING SIZE		27 3/4 x 41 1/2 x 12 3/4
SHIPPING WEIGHT		64 lbs
	UNIT	
GLASS FRONT		Included
PLUG LOCATION		Left Side
CORD LENGTH		74"
APPROX. HEATING AREA		400 sq ft




SERIES INSERT	MODEL INS-FM-30		REV 1
SCALE 1" = 1'-0"	DATE: 9/1/2014		SHEET 1 OF 1



TECHNICAL SPECIFICATIONS		
VOLTS		120
AMPS		12.5
WATTS		1500
HEATER	HIGH	1500 watts
	LOW	750 watts
NO HEATER		19 watts
LAMPS	QUANTITY	LED
	WATTS	
	TOTAL WATTS	22 watts
ROTOR MOTOR		1 at 5 watts
HEIGHT, WIDTH, DEPTH		48.8 x 74.7 x 21.6 cm
GLASS VIEWING OPENING		39.2 x 59.8 cm
SURROUND SIZE		63.3 x 96.5 cm
SHIPPING SIZE		69.9 x 105 x 31.8 cm
SHIPPING WEIGHT		29 kg
	UNIT	
GLASS FRONT		Included
PLUG LOCATION		Left Side
CORD LENGTH		190 cm
APPROX. HEATING AREA		37 sqm



SERIES	MODEL		REV
INSERT	INS-FM-30		1
SCALE 1:12	DATE: 9/1/2014	SHEET 1 OF 1	